

**THE SECURITY PRINTING CORPORATION (BANGLADESH) LTD.  
GAZIPUR.**



**CORRIGENDUM**

**Amendment (1<sup>st</sup> Time) of local & International e-tender for  
supply of Comb Tools, Spare Base Plate & Comb Niddle.**

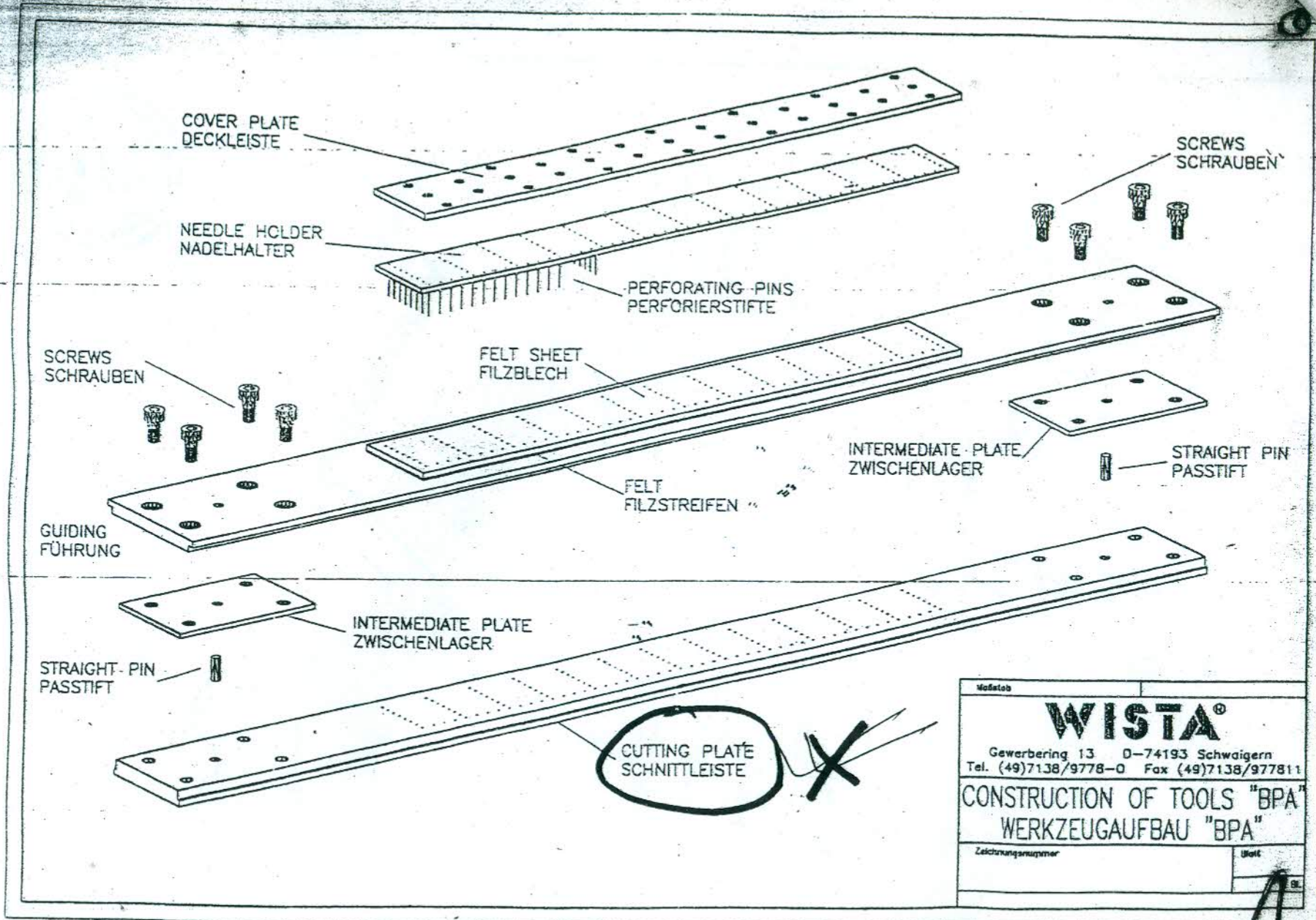
**e-Tender no. 22/2018-2019 & 23/2018-2019**

This is to inform to all concern that the text of tender clause no. D-iii (Submission of sample) of the above tender schedule should be read as follows:

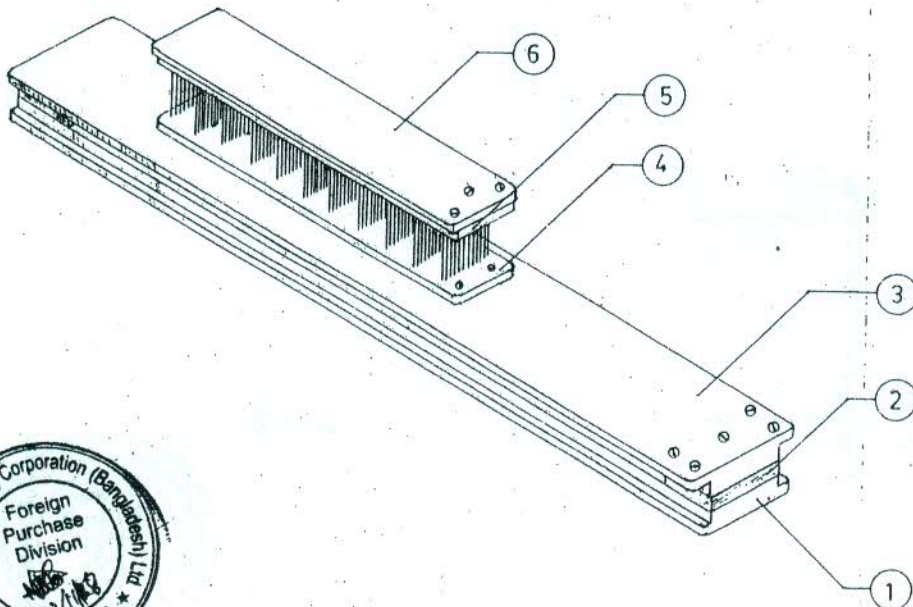
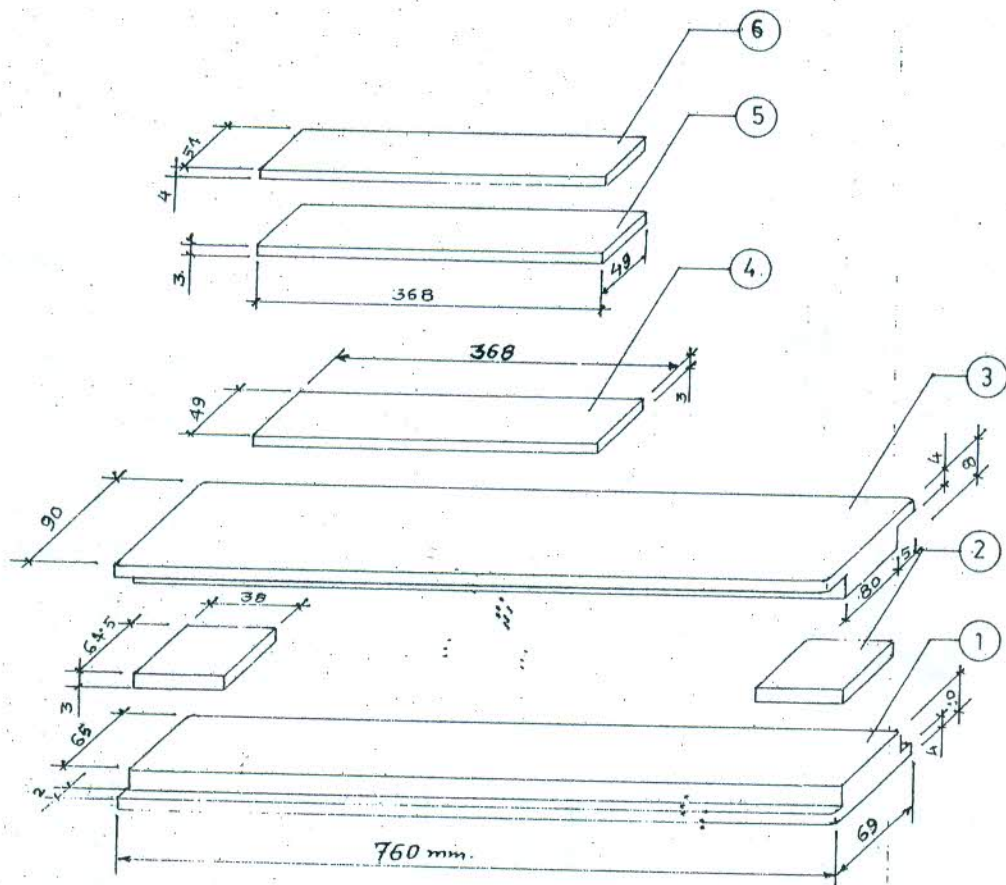
Successful bidder shall have to submit 01 (One) sample for each item within 30 days from the date of issue of purchase order for approval. The Drawings(3 pages) of Comb-Tools & Spare Base Plate have been enclosed herewith. Approved sample will be adjusted with remaining undelivered quantities. If any submitted sample will not be accepted then the performance guarantee will be forfeited and purchase order will be cancelled.

(Md. Kalimulla)  
General Manager (Foreign Purchase)  
Phone : 88-02-9205116.

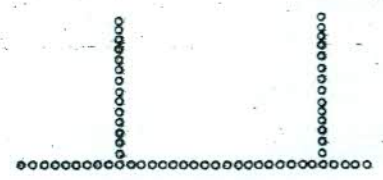
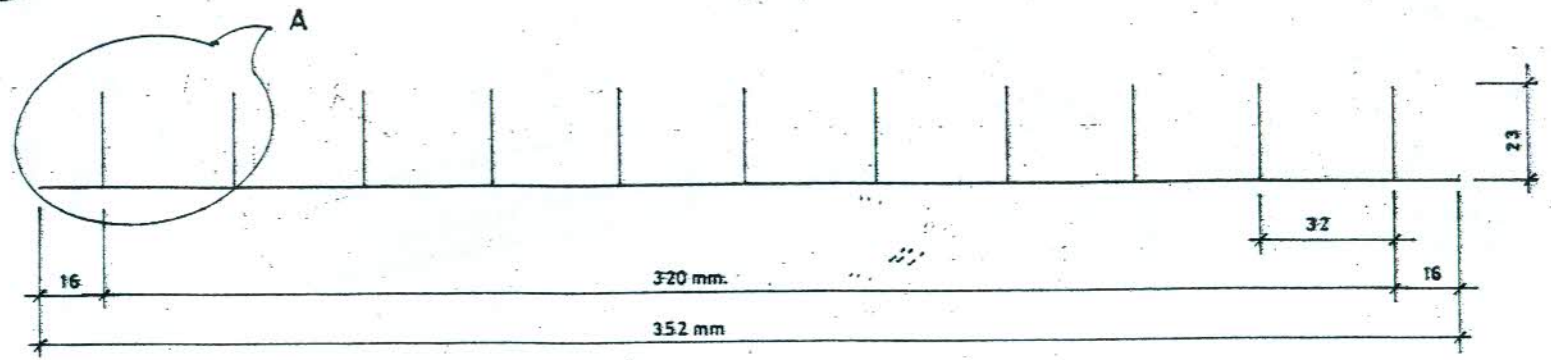
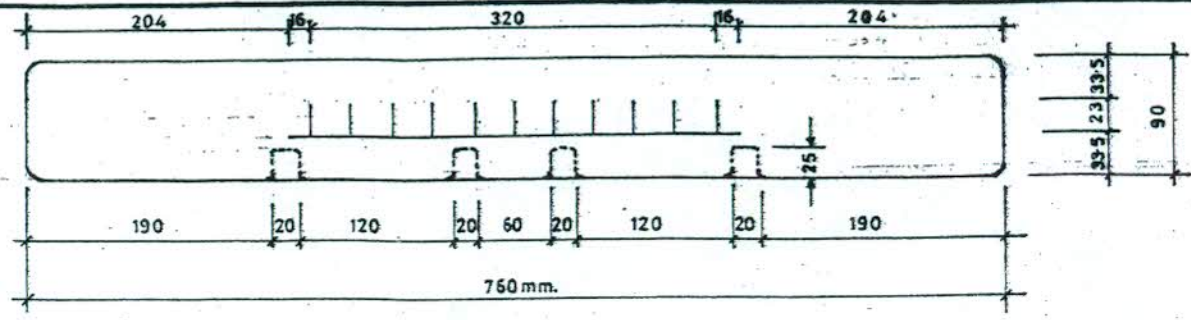




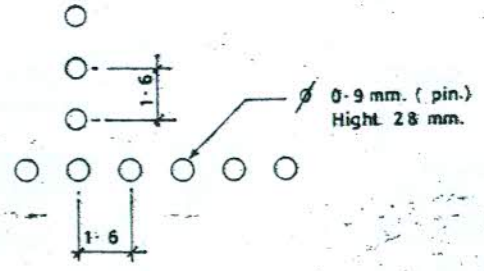
Werkstat	
<b>WISTA®</b>	
Gewerbering 13 D-74193 Schwaigern	
Tel. (49)7138/9778-0 Fax (49)7138/977811	
CONSTRUCTION OF TOOLS "BPA"	
WERKZEUGAUFBAU "BPA"	
Zeichnungsnummer	Blatt
	1/1



DRAWN BY.	K. ShahaJat	STAMP PERFORATING COMBS.
CHECKED BY.		Stamp size. 32mm. x 23mm.
APPROVED BY.		E. Bickel Machine Model No.
DATE	18-11-97.	MPA - 65 Germany.
SCALE	N.T.S	THE SECURITY PRINTING CORPO-
DRG. No.	0511 - A 95(1)	RATION (BANGLADESH) LTD.



Detail A



DRAWN BY:	K. Shahadat
CHECKED BY:	
APPROVED BY:	
DATE:	20.6.97
SCALE:	N.T.S
DRG. No.:	0511 A95

STAMP PERFORMING COMBS.  
Stamp size. 32mm. x 23 mm.  
E. Bickel Machine Model No. 1  
MPA - 65 Germany.  
THE SECURITY PRINTING CORPORATION (BANGLADESH) LTD.